

LIFEBREATH® RNC5-TPD

Indoor Air Systems **HEAT RECOVERY VENTILATOR**



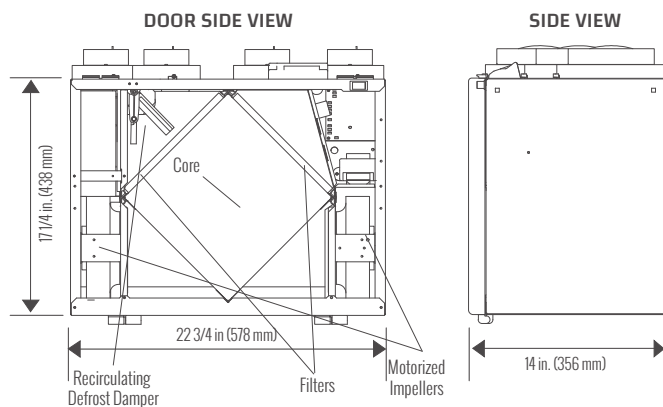
RNC5-TPD
165 CFM @ 0.3 (75) IN. W.G. (PA)

COMBINING GREAT PERFORMANCE IN A COMPACT DESIGN WITH VERY COMPETITIVE PRICING

- Cross Flow Core
- Door Port Balancing & Adjustable Dampers
- Top Ported
- Excellent Low Temperature Performance

NOTE: Front clearance of 25 in. (635 mm) is recommended for servicing unit.
All ducts use 5 in. (125 mm) oval collars.
Balancing dampers are located on all collars.
All units conform to CSA and UL standards.

DIMENSIONS



FEATURES

THERMALLY CONDUCTIVE HEX CORE

Cross-flow heat recovery core transfers heat between the two airstreams. It is easily removed for cleaning or service.

MOTORS AND BLOWERS

Each airstream has one motorized impeller with multiple fan speed operations.

MERV 6 FILTERS

Washable air filters in exhaust and supply airstreams.
MERV 13 Upgrade: 65-195-6R.

MOUNTING

Four threaded inserts at corners of the cabinet designed to accept the "S" hooks and hanging straps supplied with the unit.

DEFROST

Intelligent recirculating damper defrost system.

CASE

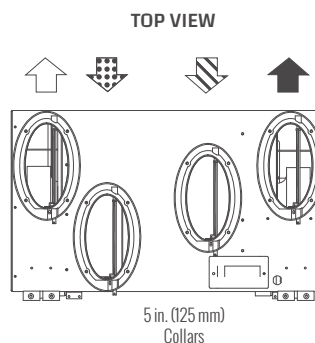
22 gauge prepainted galvanized steel for superior corrosion resistance. Insulated to prevent exterior condensation. Drain connections 2 - 1/2 in. (12 mm) OD. Balancing ports are located on door.

INSTALLER SELECTABLE HIGH SPEED SETTINGS

Adjustable DIP switches are located on the circuit board, Hi3 is the factory setting. Refer to the installation manual for adjustment instructions.

ELECTRONICS

The optional control can be wall mounted in a central location of the home. 3 wire 20 gauge (min.) 100 ft length (max.).



Standard Airflow:

- ➔ Stale Air to Outside
- ➔ Fresh Air from Outside
- ➔ Stale Air from Inside
- ➔ Fresh Air to Inside

Weight: 51 lbs (23 KG) • Shipping Weight: 54 lbs (25 KG)

LIFEBREATH® RNC5-TPD

Indoor Air Systems **HEAT RECOVERY VENTILATOR**



SPECIFICATIONS

MODEL:	RNC5-TPD
VOLTAGE:	120 V
FREQUENCY:	60 Hz
WATTS @ 64 CFM (30 L/S):	79 W
CURRENT:	1.2 A
AIRFLOW @ 0.3:	165 CFM
WEIGHT:	51 lbs / 25.8 kg
DRAIN:	Yes
MCA:	1.0 A
MOP:	15 A
WARRANTY:	Units carry a lifetime warranty on the HRV core and a 5 year replacement parts warranty.



PERFORMANCE

IN. W.G. (PA)	0.1 (25) CFM (L/s)	0.2 (50) CFM (L/s)	0.3 (75) CFM (L/s)	0.4 (100) CFM (L/s)	0.5 (125) CFM (L/s)	0.6 (150) CFM (L/s)	0.7 (175) CFM (L/s)
Net Supply Airflow	186 (88)	174 (82)	165 (78)	155 (73)	146 (69)	136 (64)	127 (60)
Gross Supply Airflow	195 (92)	184 (87)	172 (81)	163 (77)	153 (72)	142 (67)	133 (63)
Gross Exhaust Airflow	193 (91)	184 (87)	174 (82)	163 (77)	153 (72)	142 (67)	131 (62)

Sensible Efficiency (SRE)
@ 64 CFM (30 L/s) 32°F (0°C) 58%

Sensible Efficiency (SRE)
@ 83 CFM (39 L/s) 32°F (0°C) 59%

Sensible Efficiency (SRE)
@ 114 CFM (54 L/s) 32°F (0°C) 57%

Sensible Efficiency (SRE)
@ 68 CFM (32 L/s) -13°F (-25°C) 61%

