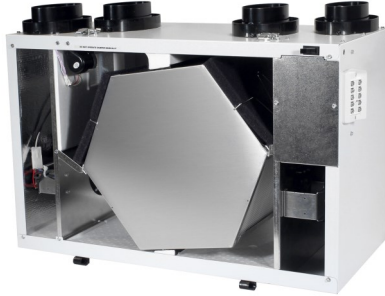


Lifebreath's best just got better!

Lifebreath has redesigned our timeless and most popular compact workhorse HRV to now include our patented optimum efficiency HEX aluminum core!

The new model was purposefully designed to provide the highest SRE (Sensible Recovery Efficiency) ratings for Energy-Efficient home programs/Building Packages. The RNC5-HEX-TPD offers the residential new construction market all the convenient features to meet or exceed project requirements. Contractors will appreciate the RNC5-HEX-TPD as it is very simple to install, balance and service and is backed by our 5 year warranty.



Lifebreath offers easy to use basic and deluxe digital control options along with our industry leading wireless timers (DET02) to save time and money.

RNC5 HEX TPD features include

- Patented aluminum HEX core with Lifetime Warranty
- Sensible Recovery Efficiency (SRE) of 75% at 0°C
- Intelligent damper motor with "Ice Breaker technology" - exclusive to Lifebreath
- 50-110 CFM top port model
- Three selectable high speed settings
- Recirculating Damper Defrost
- Multiple control options available
- Energy Star qualified
- Integrated drain

ENGINEERING DATA

Thermally Conductive, Patented Aluminum HEX Core

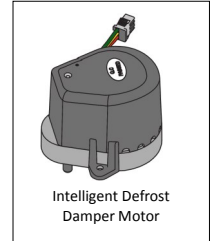
Counter-flow heat recovery core transfers heat between two airstreams. It is easily removed for cleaning or service

Motors and Blowers

Each airstream has an independent centrifugal blower with multiple fan speed operation.

Intelligent Defrost Damper Motor

- Smart damper motor with integrated circuit board
- Energy efficient DC motor
- Power saving standby mode when not cycling
- Integrated ice breaker technology
- Temperature compensated torque for reliable operation in any application
- Auto-sensed memory storage of opened and closed positions
- Soft sealing for extended part life



**** Exclusive to Lifebreath ****

Filters

Washable air filters in exhaust and supply airstreams.

Mounting the HRV

Adjustable hanging straps supplied with unit for easy installation.

Case

20 gauge prepainted galvanized steel for superior corrosion resistance, insulated to prevent exterior condensation.

Installer Selectable High Speed Settings

Adjustable DIP switches are located on the circuit board, Hi3 is the factory setting. Refer to the installation manual for the adjustment instructions.

Electronics

Main control can be wall mounted in a central location. 3 wire 20 gauge (min.) 100 ft. length (max.)

LIFEBREATH CONTROL OPTIONS

FEATURES	99-DXPL02	99-BC02	99-BC03	99-BC04
5 speed fan operation on each mode	✓			
2 speed fan operation (Low/High)		✓		✓
Continuous low speed fan operation	✓	✓	✓	✓
Humidity control through adjustable Dehumidistat	✓	✓	✓	
Large digital LCD screen	✓			
LED status indicator lights		✓	✓	✓
Continuous Ventilation	✓	✓	✓	✓
Continuous Recirculation	✓		✓	
20 ON/40 OFF	✓			
10 ON/50 OFF	✓			
20 ON/40 Recirculation	✓		✓	✓
20/40/60 min. High speed override button	✓			
Compatible with 99-DET02 Wireless Timer	✓	✓	✓	✓
3 wire connection	✓	✓	✓	✓

Accessory Options

99-190 Dual Hood—One 6 in (152 mm) opening for supply and exhaust.

Tested by: National Research Council

Program: Building Regulations for Market Access

Report Number: A1-007793, Report Date: 15 February 2016

Found to comply with requirement as set in the NBC

TIMER OPTIONS

99-DET01

Lifebreath 20/40/60 Minute Timer

Initiates high speed Ventilation for 20,40 or 60 minutes. 3 wire connection.

99-DET02

Wireless Lifebreath 20/40/60 Minute Timer

Initiates high speed Ventilation for 20,40 or 60 minutes. Wirelessly connects to main control for ease of installation. 40 ft. approximate range.

**** Exclusive to Lifebreath ****

99-RX02

Wireless Lifebreath Repeater

Extends range of 99-DET02 Wireless Timers. Plugs into 120V power outlet. Wirelessly connects to main control and 99-DET02. Install at halfway point between timer and main wall control if timer is out of range.

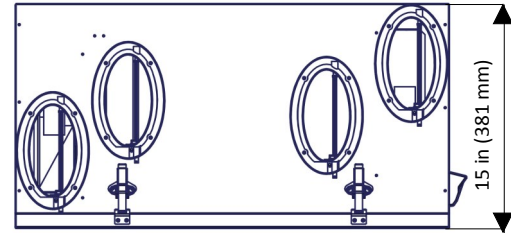
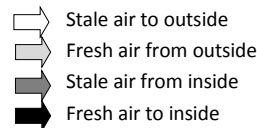
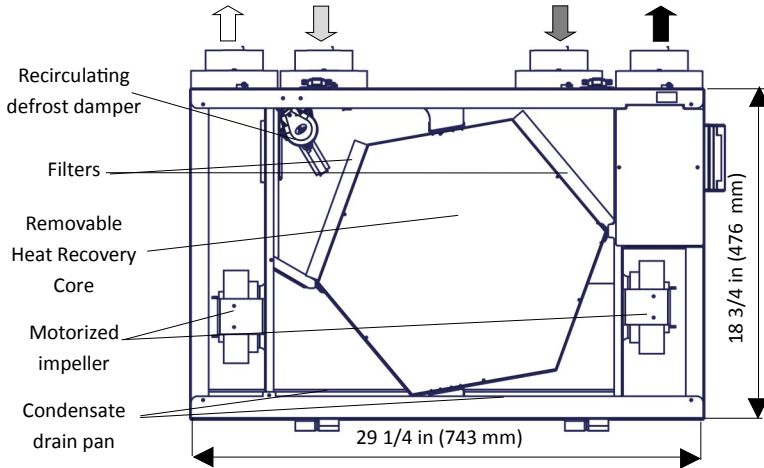
Accessory Options

99-163 Duct Heater w/ Electronic SCR Thermostat—1 kW, 6 in (152 mm).

99-185 Weatherhoods—Two 5 in (127 mm).

Dimensions

Weight: 50 lbs (22.7 kg) Shipping Weight: 53 lbs (24.1 kg)

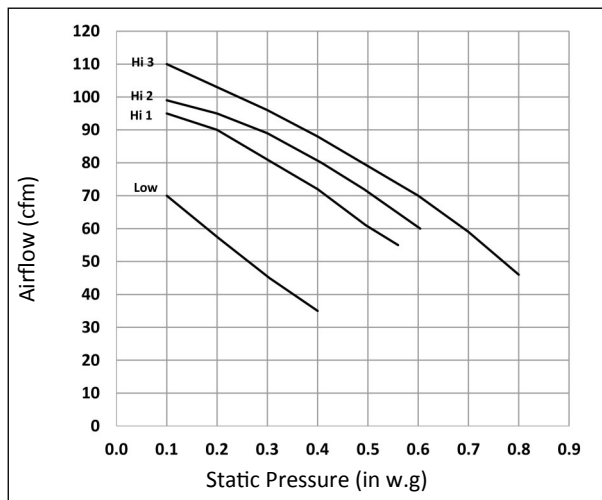


Note: Front clearance of 25 in (635 mm) is recommended for servicing unit. All ducts use 5 in (125 mm) oval collars, balancing dampers are located on all collars.

Performance (HVI Certified)

In. w.g. (Pa)	0.1 (25)	0.2 (50)	0.3 (75)	0.4 (100)	0.5 (125)	0.6 (150)	0.7 (175)	0.8 (200)
	cfm (L/s)	cfm (L/s)	cfm (L/s)	cfm (L/s)	cfm (L/s)	cfm (L/s)	cfm (L/s)	cfm (L/s)
Net Supply Airflow	110 (52)	104 (49)	95 (45)	89 (42)	78 (37)	70 (33)	59 (28)	47 (22)
Gross Supply Airflow	110 (52)	104 (49)	95 (45)	89 (42)	81 (38)	70 (33)	59 (28)	47 (22)
Gross Exhaust Airflow	108 (51)	102 (48)	93 (44)	85 (40)	76 (36)	66 (31)	53 (25)	40 (19)

Electrical Specifications:	
VAC @ 60Hz	120
Watts / Low Speed	36
Watts / High Speed	55
Amp Rating	0.5



Sensible Effectiveness (ASE) @ 49 cfm (23 L/s)	32°F (0°C)	81%
Sensible Effectiveness (ASE) @ 64 cfm (30 L/s)	32°F (0°C)	79%
Sensible Efficiency (SRE) @ 49 cfm (23 L/s)	32°F (0°C)	77%
Sensible Efficiency (SRE) @ 64 cfm (30 L/s)	32°F (0°C)	75%
Sensible Efficiency (SRE) @ 68 cfm (32 L/s)	-13°F (-25°C)	69%

Sensible Efficiency:

Thermal

Effectiveness:

Based on temperature differential between the two airstreams

Efficiency:

Takes into account all power inputs and leakage

WARRANTY Units carry a lifetime warranty on the HRV core and a 5 year replacement parts warranty.

Date: _____ Contractor: _____

Tag: _____ Qty: _____ Supplier: _____

Project: _____ Quote#: _____

Engineer: _____ Submitted By: _____

Control: _____ Timer: _____ Timer Qty: _____



All units conform to CSA and UL standards



511 McCormick Blvd.

London, ON, Canada

N5W 4C8

1-800-247-4200