



TFP 3000 HEPA

REVOLUTIONIZING HOME AIR CLEANING

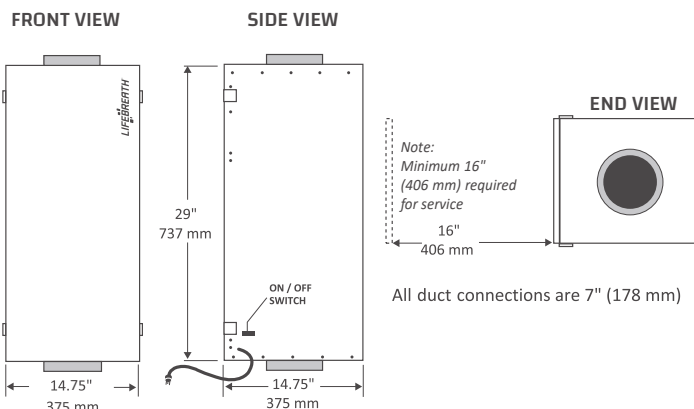
- 99.97% efficient at .3 microns.
- A human hair is 100 microns wide.
- Spores and pollen are all larger than 8 microns.
- A micron is 1/1000 of a millimeter, or less than 1/2 of 1/10,000 of an inch.

TFP 3000 HEPA PARTICLE CAPTURE RATE

Particle Size (microns) .3 or more

Percentage Caught 99.7%

DIMENSIONS



ENGINEERING DATA

MOTORS AND BLOWERS

High efficiency PSC Motor - 150 cfm @ .4" WC 110 watts - 120 VAC. Standard three prong plug to receptacle. The TFP is equipped with a standard power supply of 5'5" (1.6 meters) cable.

COLLECTOR AND FILTER

One replaceable TFP collector and one replaceable HEPA filter. Easy to remove for cleaning and replacement. Annual inspection recommended.

MOUNTING THE AIR CLEANER - 4 OPTIONS

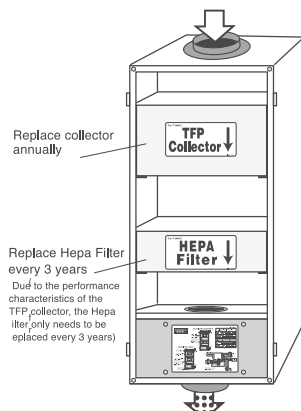
1. Mount to the furnace return.
2. Mount between the HRV and the furnace.
3. Hang from a joist and duct to the furnace.
4. Stand alone installation.

OPTIONS

- 65-502R Replacement HEPA Filter
- 65-503R Replacement TFP Collector
- 99-TFP Optional Installation Kit
 - Two 7 in Duct Connection Collars
 - 12.5 in length of 7 in non-insulated flex duct
 - Four nylon zip ties

WARRANTY

Units carry a 5 year replacement parts warranty. No warranty on collector / filter.



Airflow:

- ➡ Stale Air to Outside
- ➡ Fresh Air from Outside
- ➡ Stale Air from Inside
- ➡ Fresh Air to Inside