

LIFEBREATH® 2000 EFD

Indoor Air Systems **HEAT RECOVERY VENTILATOR**

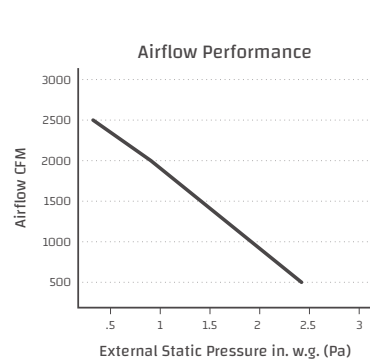


2000 EFD

DESIGNED FOR EXTERIOR INSTALLATIONS

- 8x Cross Flow Cores
- Interior installations with duct connections on the ends.
- Microprocessor circuit board with built in interlock contacts.

NOTE: Service clearance is 30 in.
All units conform to CSA and UL standards.



VOLTAGE OPTIONS

VOLTAGE	PHASE	MOTOR	AMPS	MCA	MOP	SKU
208	1	Two ODP, 2.0 hp, single shaft, single speed	18.2	26	30	200-2000EFD-208SP
240	1	Two ODP, 2.0 hp, single shaft, single speed	18.2	20.25	30	200-2000EFD-240SP
208	3	Two ODP, 2.0 hp, single shaft, single speed	5.9	14.75	20	200-2000EFD-2083P
460	3	Two TEFC, 1.5 hp, single shaft, single speed	5.2	6.5	8	200-2000EFD-4603P
575	3	Two TEFC, 1.5 hp, single shaft, single speed	4	4.5	6	200-2000EFD-5753P

FEATURES

- AIRFLOW** 2000 CFM (940 L/s) at 1.0 in. w.g. ESP.
- PERFORMANCE** 65% effective at 2000 CFM (940 L/s).
- CORES** Eight patented aluminum heat recovery cores arranged for efficient cross-flow ventilation.
- BLOWERS** Two belt drive centrifugal blowers with adjustable pulleys, one per air stream.
- FILTERS** Two 16 in. x 25 in. x 2 in. (406 mm x 635 mm x 50 mm) pleated filters in each air stream. MERV 8 efficiency.
- CONNECTION DUCT SIZES** Two 20 in. x 19 in. (508 mm x 482 mm) hoods included with washable screens. Two 25 in. x 16 in. (635 mm x 406 mm) connections to and from building under cabinet.

CABINET 22 gauge powder coated steel for superior corrosion resistance. Unit includes metal lined sides and roof panels with 1 in. fiberglass insulation.

DRAIN Two powder coated galvanized steel drain pans with 1/2 in. (12 mm) O.D. drain connections.

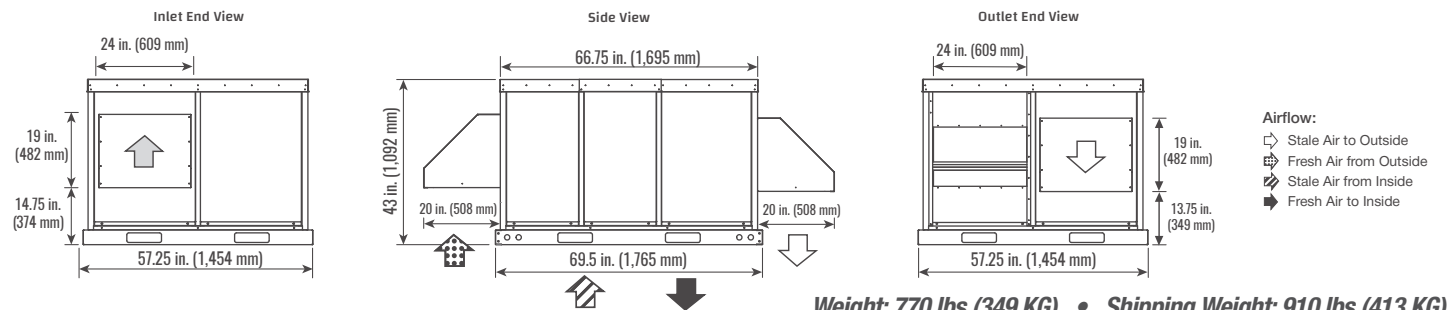
MOUNTING Rooftop mounted on optional curb (Part No. 53-2007).

ELECTRONICS Integrated microprocessor board.

DEFROST Factory set defrost time. Supply motor is shut off while exhaust air defrosts core.

WARRANTY Units carry a 15 year warranty on the HRV core and a 2 year replacement parts warranty.

DIMENSIONS



Weight: 770 lbs (349 KG) • Shipping Weight: 910 lbs (413 KG)